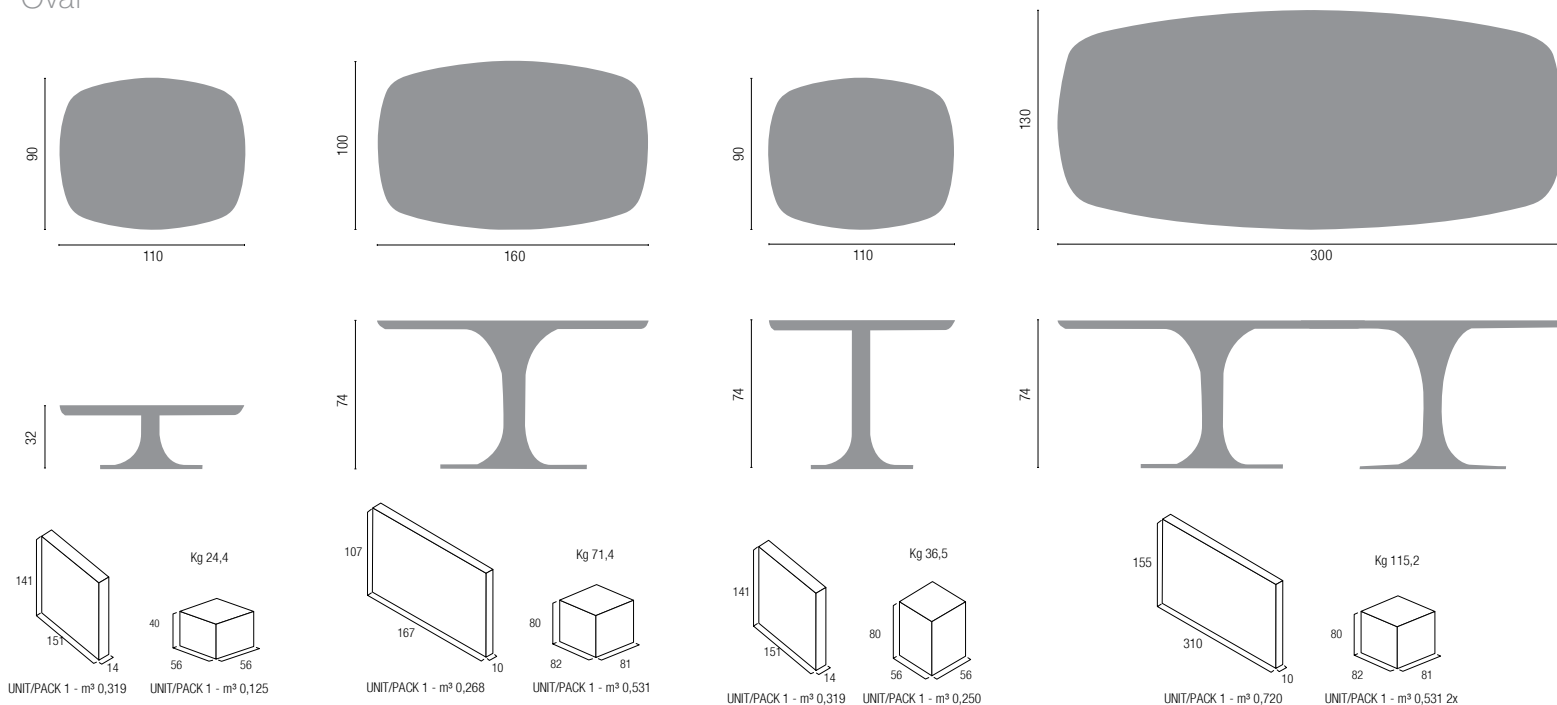


Nabucco

Oval



technical data

base

feet



Gamba a cono altezza 74 cm
Cone base h. 74 cm
Pièd. tulipe haut. 74 cm
Tellerfuß H. 74 cm



Gamba a doppio cono altezza 74 cm
Double-cone base h. 74 cm
Pièd. double tulipe haut. 74 cm
Doppel Tellerfuß H. 74 cm



Gamba a cono altezza 100 cm
Cone base h. 100 cm
Pièd. tulipe haut. 100 cm
Tellerfuß H. 100 cm



TOP:

Piano in MDF, sp. 28mm, 900x1100mm, 1000x1600mm o 1300x3000mm, finitura laccata

BASE:

- Gamba a cono in acciaio, h. 740mm, finitura laccata
- Gamba a cono in acciaio, h. 320mm, finitura laccata
- Gamba a doppio cono in acciaio, h. 740mm, finitura laccata

TOP:

28mm thk MDF top, 900x1100mm, 1000x1600mm, 1300x3000 laquered finish

BASE:

- Steel cone Base, h. 740 mm, lacquered finish.
- Steel cone Base, h. 320 mm, lacquered finish.
- Steel double-cone Base, h. 740 mm, lacquered finish.

TOP:

Plateau en MDF, épaisseur 28mm, 900x1100mm, 1000x1600mm ou 1300x3000mm, finition laqué

PIÈTEMENT:

- Piètement tulipe en acier, h. 740mm, finition laqué
- Piètement tulipe en acier, h. 320mm, finition laqué
- Piètement double tulipe en acier, h. 740mm, finition laqué

TOP:

Lackierte MDF Tischplatte, D. 28 mm, 900x1100mm, 1000x1600mm oder 1300x3000

GESTELL:

- Stahl Tellerfuß, h 740mm, lackiert.
- Stahl Tellerfuß, h 320mm, lackiert
- Doppel Stahl Tellerfuß, h 740mm, lackiert

