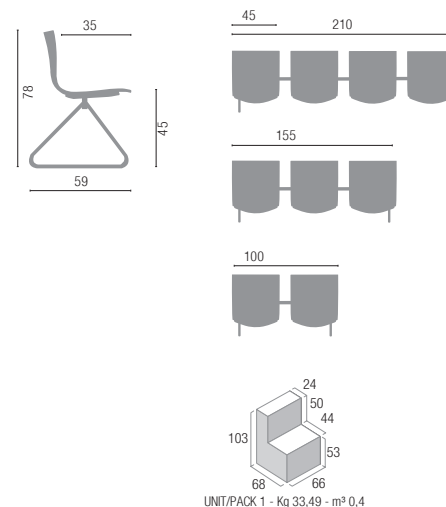


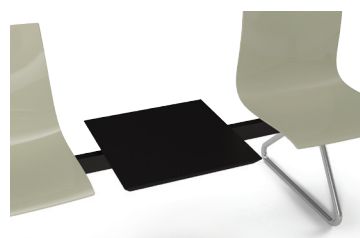
SLIM  
collectionSlim  
Bench

## technical data

## options



XC017 - cushion



table

## base



Trave vern. nera con gambe vern. nere, bianche o cromate  
Black painted bench, black, white or chromed painted frame  
Poutre vernie noire avec pi et. verni noir, blanc ou chrom e  
Sitztr ager schwarz lack., Fu ge. schwarz, weiss lackiert oder verchromt

**1. STRUTTURA:**

Trave 2/3/4 posti con monocoocca in tecnopolimero, finitura RAL o imbottita con spugna e rivestita in tessuto, con struttura di sostegno in tubo tondo d'acciaio, Ø 16mm, finitura cromata (15µm) o verniciata a polveri (tavolino in lamina d'acciaio, finitura verniciata a polveri)

**2. BASE:**

Trave in tubo rettangolare d'acciaio 60x20mm, finitura verniciata a polveri con gambe in tubo d'acciaio Ø20mm, finitura cromata (15µm) o verniciata a polveri

**3. BRACCIOLI:**

Bracciolo triangolare in tondo d'acciaio, Ø 12mm, finitura cromata (15µm) o verniciata a polveri (imbottito e rivestito in tessuto)

**1. STRUCTURE:**

2/3/4 seats bench, with Engineering polimer mono-coque, ral finish or foam padded and upholstered. Round steel bar structure Ø16mm, with or without armrests, chromed finish (15µm) or powder coated. (metal sheet coffee table, powder coated)

**2. BASE:**

Rect. Steel tube bar 60x20mm, powder coated, with steel tube legs Ø20mm, chromed finish (15µm) or powder coated

**3. ARMREST:**

Steel round bar Ø12 mm, triangular armrest, chromed finish (15µm) or powder coated. Padded and fabric upholstered

**1. STRUCTURE:**

Poutre 2/3/4 places avec monocoque en polym ere technique, finition RAL ou rembourr ee de mousse et tapiss ee. Structure de support en tube d'acier, Ø 16mm, finition chrom e (15µm) o verni  poxi (tablette en acier, finition verni  poxi)

**2. PIETEMENT:**

Poutre en tube d'acier rectangulaire, 60x20mm, finition verni  poxi avec pieds en tube d'acier Ø 20mm, finition chrom e (15µm) ou verni  poxi

**3. ACCOUDOIR:**

Accoudoir triangulaire en tige d'acier, Ø 12mm, finition chrom e (15µm) ou verni  poxi (manchette rembourr ee et tapiss ee)

**1. STRUKTUR:**

2/3/4 Sitz Stahlbalken, mit Technopolymer Schale, Ral Farben oder ausgepolstert mit Schwamm und Stoffbezug, Rund-Stahlrohrgestell Ø 16 mm, verchromt (15µm) oder pulverbeschichtet. (Stahlband-Ablageplatte, pulverbeschichtet)

**2. GESTELL:**

Rechteckige Stahlrohrbalken, 60x20 mm, pulverbeschichtet mit Stahlrohrbeine, Ø 20 mm, verchromt 15 µm) oder pulverbeschichtet

**3. ARMLEHNE:**

Feste dreieckige Armlehne aus Stahlstab, Ø 12 mm, verchromt (15 µm) oder pulverbeschichtet, ausgepolstert mit Stoffbezug



EN 1335

EN 1022

EN 1728

EN 16139

EN 9175  
CLASSE F1M5  
YEAR  
WARRANTYCertification and guarantee  
of absolute product qualityIQNet Certified  
Management SystemISO 9001:2008  
QualityISO 14001:2004  
EnvironmentalOHSAS 18001:2007  
Safety

ID 1111209613